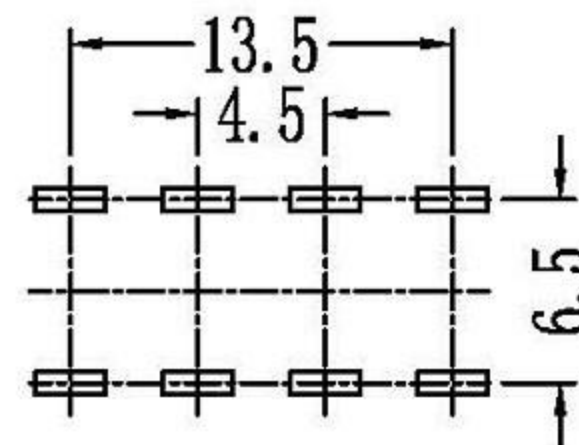
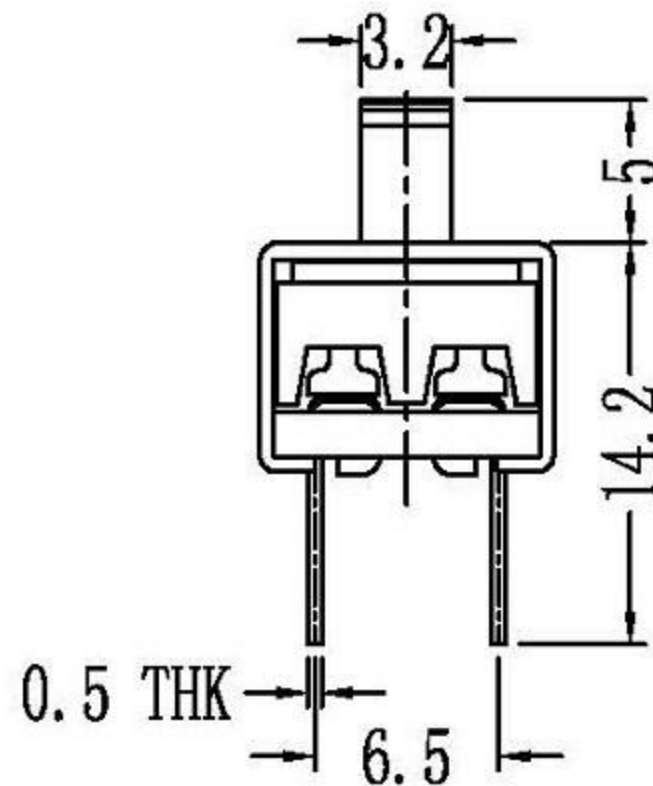
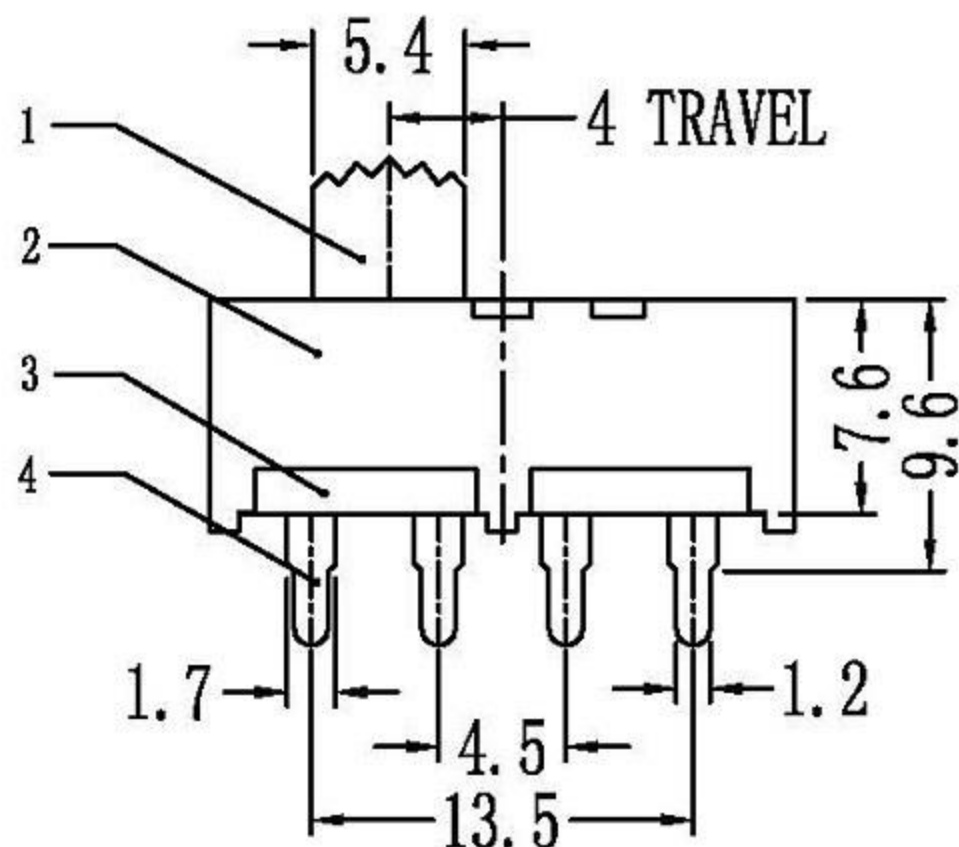
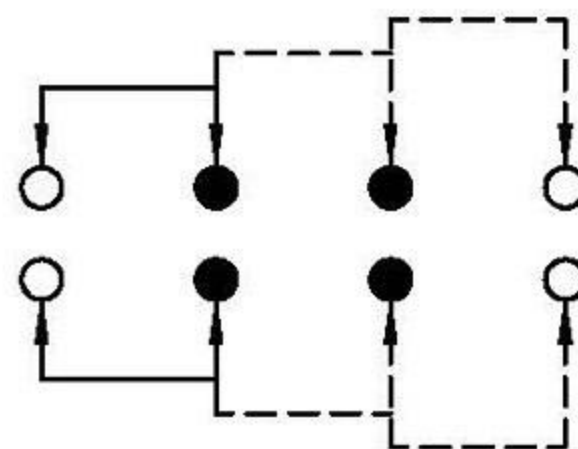
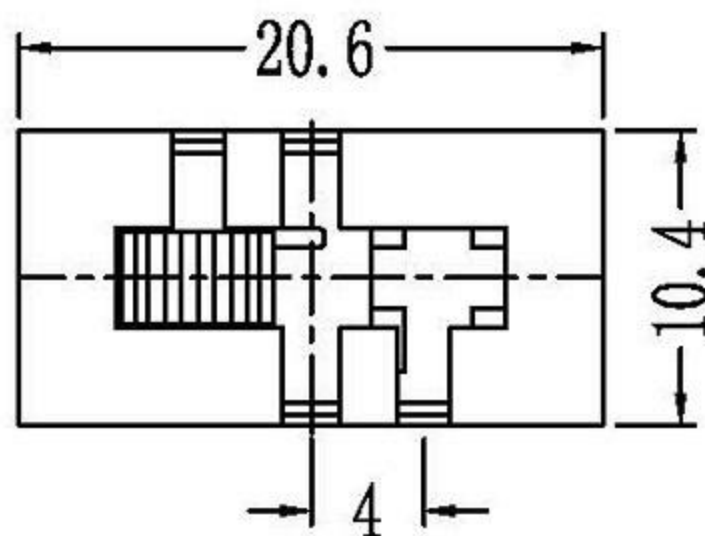


CAD FILE:



P.C.B LAYOUT  
BOTTOM VIEW



SCHEMATIC (NON-SHORTING)

大电流拨动开关技术参数:

1. 额定负荷: AC 125V 250V 3A 6A 10A
2. 接触阻抗:  $\leq 50m\Omega$
3. 绝缘阻抗:  $\geq 100m\Omega$  DC500V
4. 耐焊温度:  $250 \pm 5^\circ$  5s
5. 使用寿命: 10,000 cycles
6. 使用温度:  $-25^\circ\text{C}$  to  $80^\circ\text{C}$
7. 使用湿度:  $\leq 85\%$  RH
8. 操作力: 160gf 256gf 300gf 可定制
9. 手柄长度: 2mm-10mm 可定制

注: "\*"表示关键尺寸(6个)

| NO. | PARTS        | MATERIALS      | Q'TY | FINISH    | TOLERANCE<br>UNLESS SPECIFIED | ISSUE | DATE       | DESCRIPTIONS OF REVISION | APPD.      |
|-----|--------------|----------------|------|-----------|-------------------------------|-------|------------|--------------------------|------------|
| 8   |              |                |      |           |                               |       |            |                          |            |
| 7   | STEEL BALL   | STEEL          | 1    | NATURAL   |                               |       |            |                          |            |
| 6   | SPRING       | STEEL WIRE     | 1    | NATURAL   |                               |       |            |                          |            |
| 5   | CONTACT CLIP | PBS STRIP      | 2    | Ag PLATED | WITHIN                        | A     | 2012-10-28 | 初版                       |            |
| 4   | TERMINAL     | BRASS STRIP    | 8    | Ag PLATED | OVER                          |       |            |                          |            |
| 3   | BASE         | PHENOLIC RESIN | 1    | NATURAL   |                               |       |            |                          |            |
| 2   | FRAME        | STEEL STRIP    | 1    | Ni PLATED |                               |       |            |                          |            |
| 1   | KNOB         | POM            | 1    | BLACK     |                               |       |            |                          |            |
|     |              |                |      |           | TITLE : VERTICAL SLIDE SWITCH |       | UNIT : mm  | DRWG NO.:                |            |
|     |              |                |      |           | MODEL:                        |       | SCALE: 3:1 | DWN.                     | 2012-10-28 |
|     |              |                |      |           | <b>东莞市高迪电子有限公司</b>            |       |            | CHK'D                    |            |
|     |              |                |      |           |                               |       |            | APPD.                    |            |